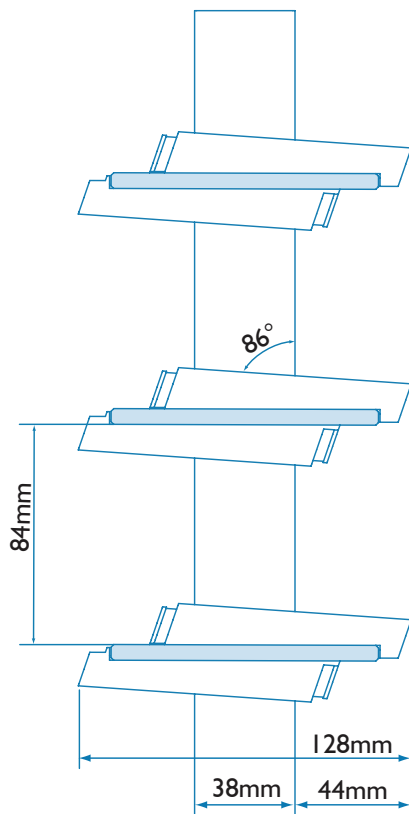


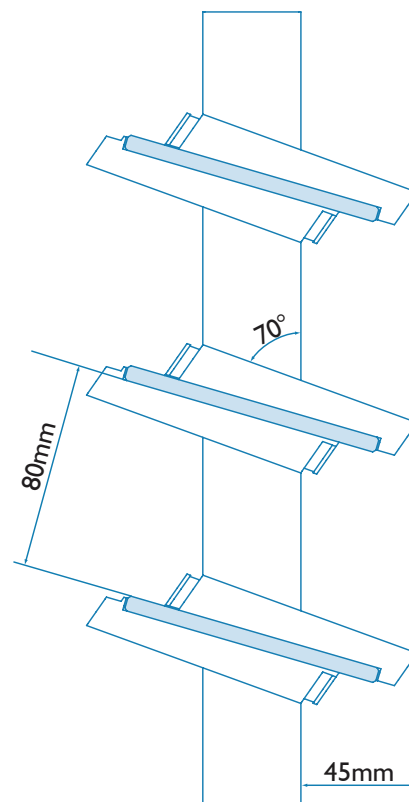
**Altair® Louvres With Restricted Opening**

Altair Louvre Windows can be restricted to only allow a nominal opening of 80mm or 100mm between open blades.

Restricted openings can be used to prevent clips from impacting screens in some frames, or to limit the size of objects able to pass through the open window.



**102mm Louvre  
Unrestricted Opening**



**102mm Louvre  
80mm Restricted Opening**