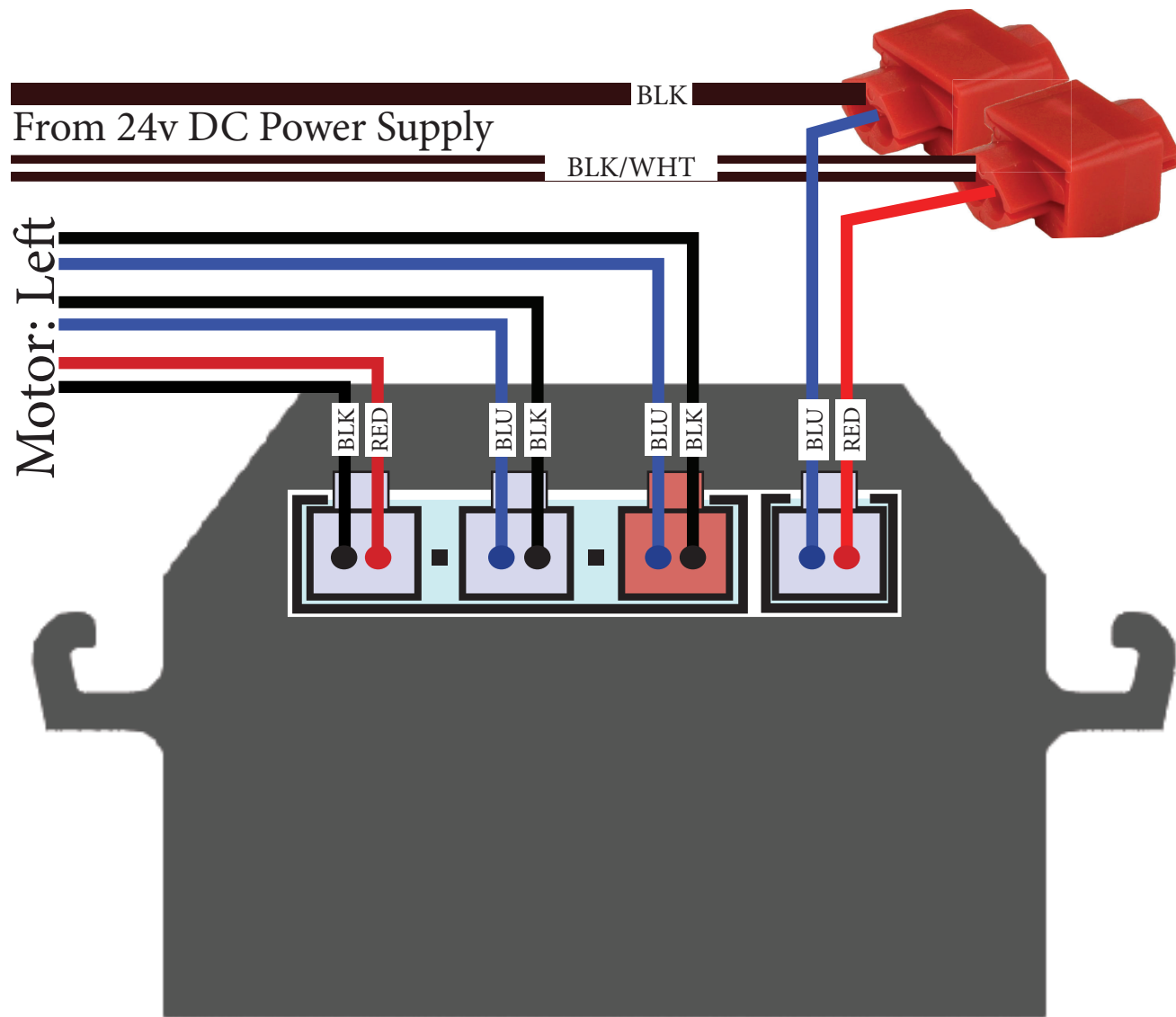


# PCB Wiring Guide- TriGear Motor with Three Plugs



IMPORTANT: Please ensure there is a spare pin separating each plug from the motor before supplying power.

