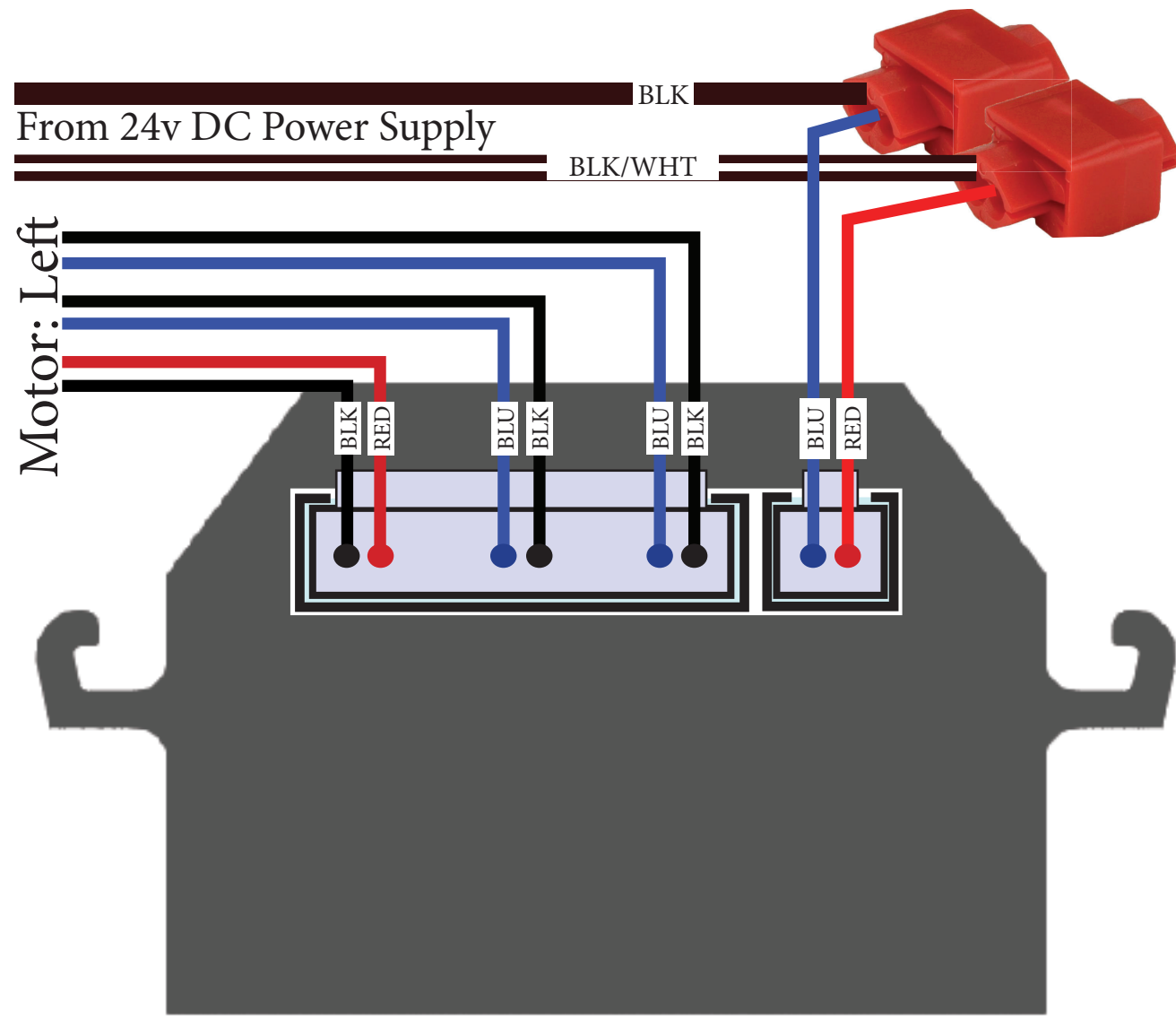


# PCB Wiring Guide - TriGear Motor with Straight Plug



*breezway*®

