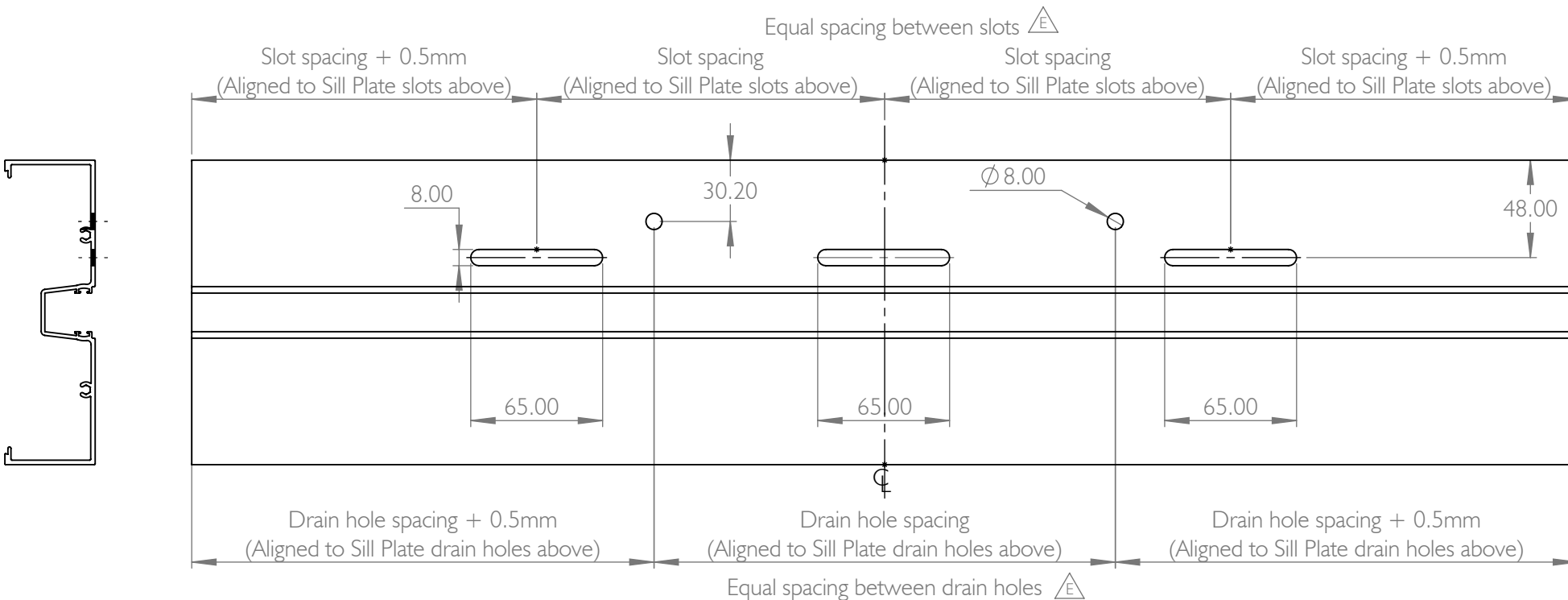


△ Slot Qty's:
 Up to 800mm = 3 Slots
 801mm - 1000mm = 4 Slots
 Over 1001mm = 5 Slots
 Slot equally spaced, end slots +0.5mm
 (Refer to slot equations)

△ Drain hole Qty's:
 Up to 750mm = 2 Holes
 751mm - 1000mm = 3 Holes
 Over 1001mm = 4 Holes
 Holes equally spaced, end holes +0.5mm
 (Refer to slot equations)

Slot equations
 To Align slots with Sill plate above (slot spacing):
 - Length - 1mm
 - Divide by (number of slots + 1) for spacing
 - End slots have + 0.5mm from each end added

Drain hole equations
 To Align drain holes with Sill plate above (drain hole spacing):
 - Length - 1mm
 - Divide by (number of drain holes + 1) for spacing
 - End slots have + 0.5mm from each end added



Outside

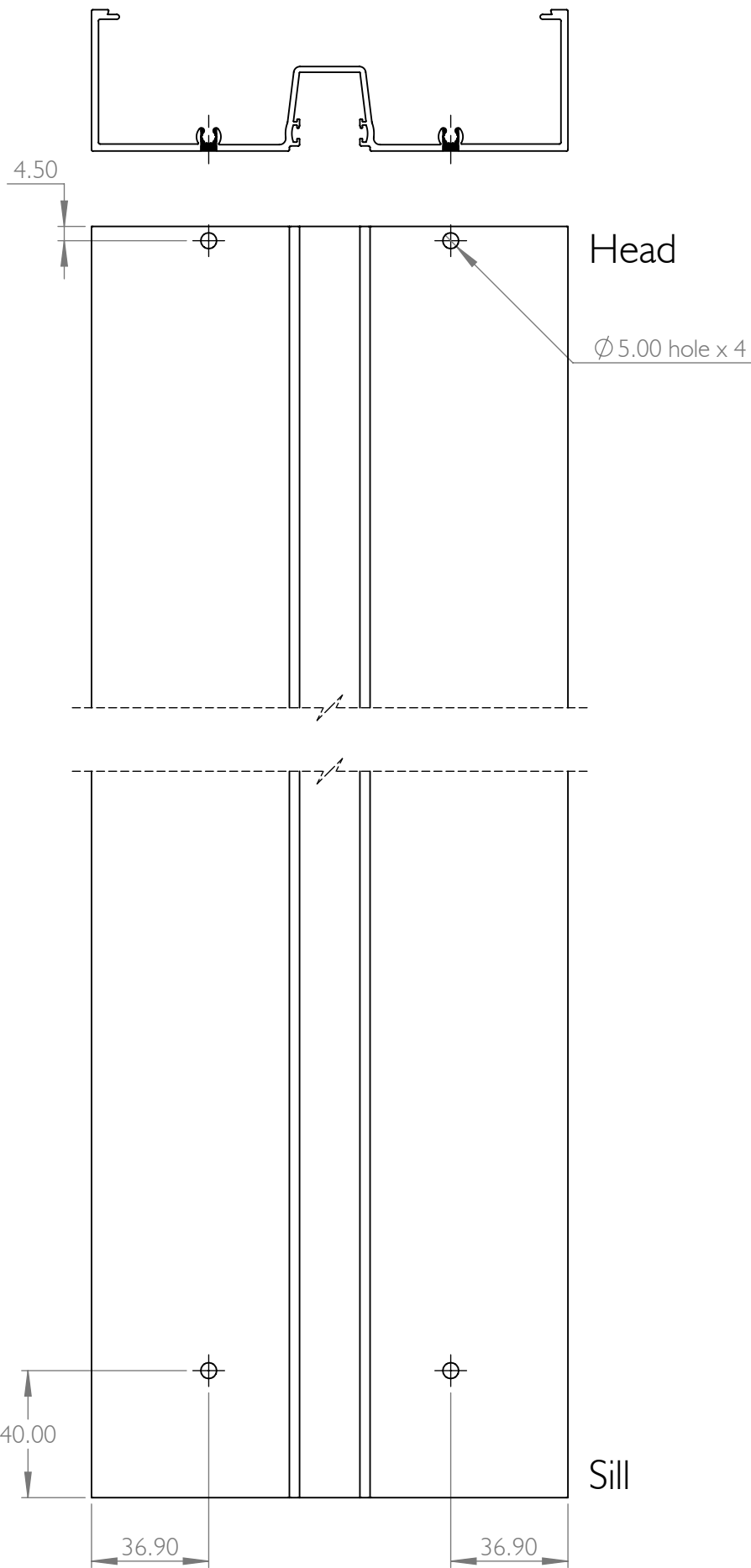
Inside

NOTE: Sill slots for WPR configurations only. Drain holes in all configurations.

McArthur Evo 150mm Frame/Jamb - ME61

Model: R:\1 - Products\18 Dualair System\1 Extrusions\1 Breezway Drawings\18.1.1-9 McArthur Evo 150 Frame Jamb ME61
 Drawing: R:\1 - Products\18 Dualair System\3 Processing\18.3-9 McArthur Evo ME61 Processing


Proprietary and confidential The information contained in this drawing is the sole property of Breezway Australia. Any reproduction in part or as a whole, without the written permission of Breezway Australia is prohibited.	Revision: A First issue B Cutout information updated to match Sill insert C Profile code added D Drain hole & slot details updated E Spacing dimensions clarified F Model path updated; manual processing removed G Seperate Drain hole equations added	B.G. 29/09/2017 B.G. 29/06/2018 B.G. 18/07/2018 B.G. 25/07/2018 B.G. 26/07/2018 B.G. 27/07/2018 B.G. 31/07/2018	Title: Sill Processing Alspec Commercial Framing Dualair Window System	 35 Cambridge Street, Coorparoo QLD 4151, ABN 24 081 897 823	Material: 6063-T5 Alloy	
					Finish: Mill/Powdercoat/Anodise as reqd	SAP Mat No: Dwg No: 18.3-9.1
		Drwn: B.G. Chk:	Date: 29/09/2017	Scale: 1:3 @A4	Sheet 1 of 2	Revision G



Revision: A	First issue	B.G.	29/09/2017
B	Cutout information updated to match Sill insert	B.G.	29/06/2018
C	Profile code added	B.G.	18/07/2018

McArthur Evo 150mm Frame/Jamb - ME61

Model: R:\1 - Products\18 Dualair System\1 Extrusions\1 Breezway Drawings\18.1.1.9 McArthur Evo 150 Frame Jamb ME61
 Drawing: R:\1 - Products\18 Dualair System\3 Processing\18.3-9 McArthur Evo ME61 Processing

Proprietary and confidential The information contained in this drawing is the sole property of Breezway Australia. Any reproduction in part or as a whole, without the written permission of Breezway Australia is prohibited.	Title: Jamb Processing Alspec Commercial Framing Dualair Window System		 <small>35 Cambridge Street, Coorparoo QLD 4151, ABN 24 081 897 823</small>	Material: 6063-T5 Alloy
	Drwn: B.G. Chk:			Finish: Mill/Powdercoat/Anodise as reqd SAP Mat No: Dwg No: 18.3-9.2
Date: 29/09/2018 Scale 1:2 @A4		Sheet 2 of 2	Revision G	