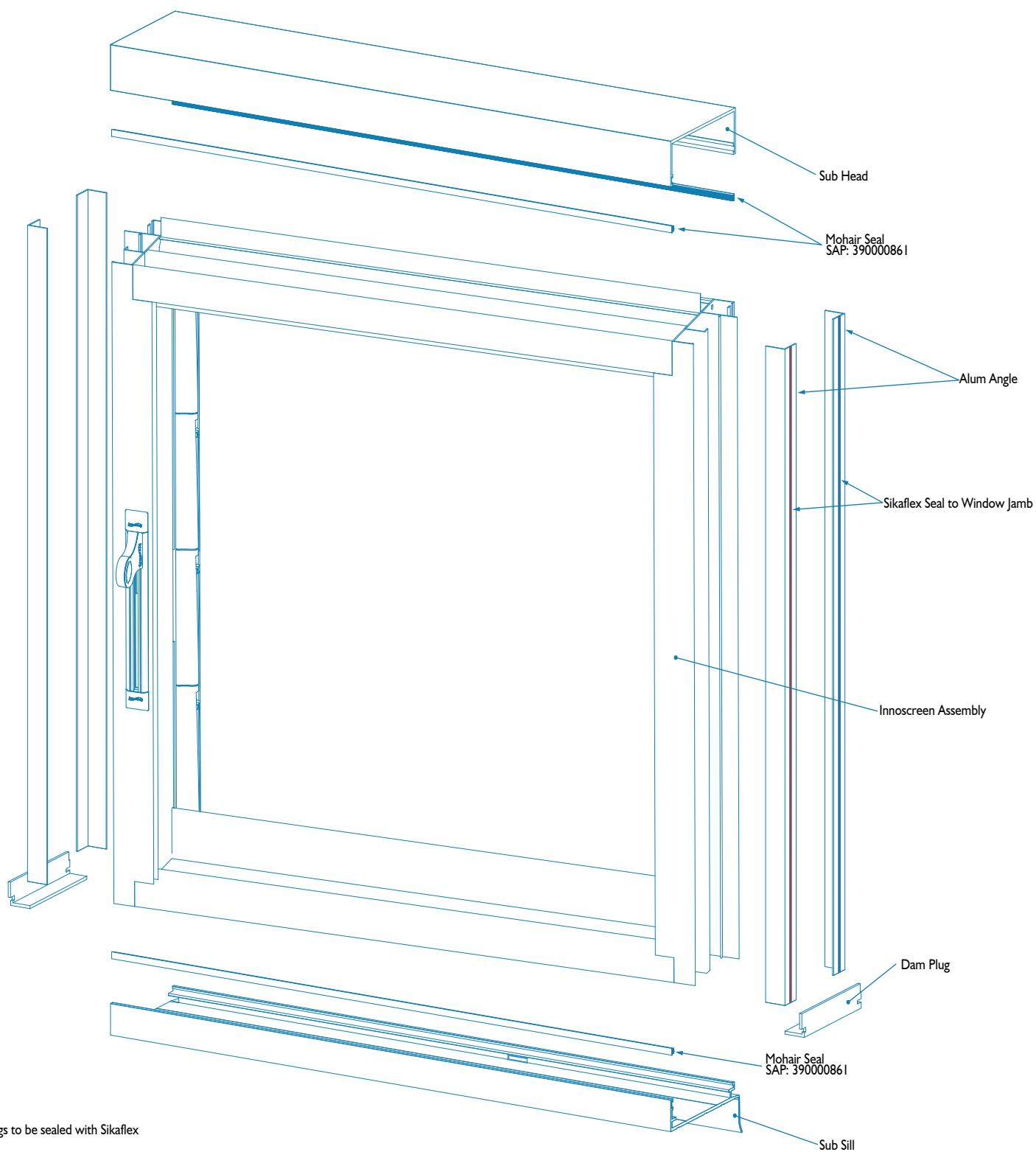


Innoscreen Sub Framing Building In Details



All Fixings to be sealed with Sikaflex