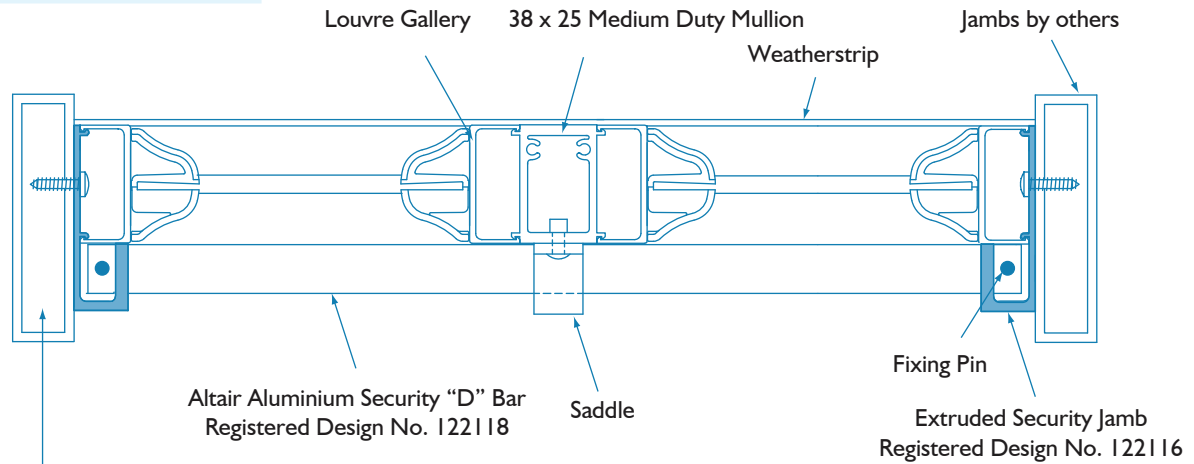


Altair® Louvre Security Jamb

152mm Louvre Galleries Only

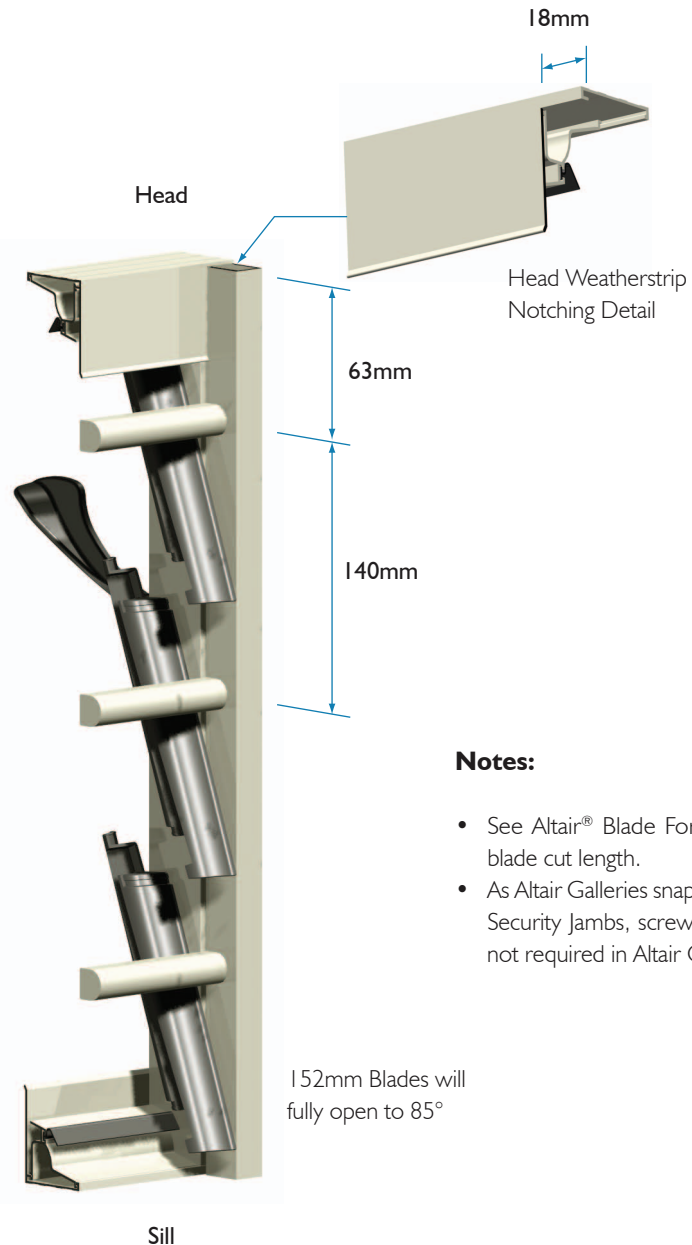
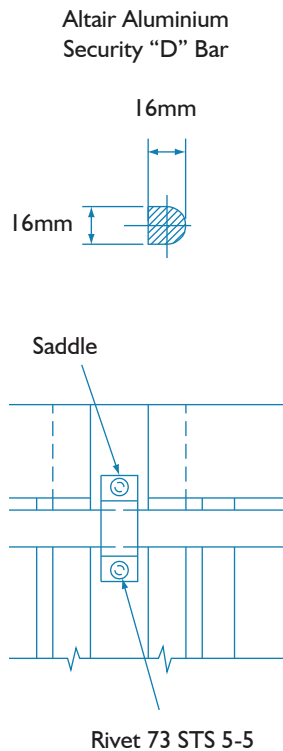


For Alum. or Steel Jamb Section

- M5 x 10mm long Trilobular Screw
- Stainless Steel, Pan Hd. 1A Pozi-Driv
- Ø 4.50mm in Alum, Ø 4.80mm in Steel

For Timber or Masonry

- 10 Gauge x 25mm Long Self Tapping Screw
- Stainless Steel, Pan Hd. 1A Pozi-Driv



Notes:

- See Altair® Blade Formulas for blade cut length.
- As Altair Galleries snap into Altair Security Jamb, screw holes are not required in Altair Galleries.