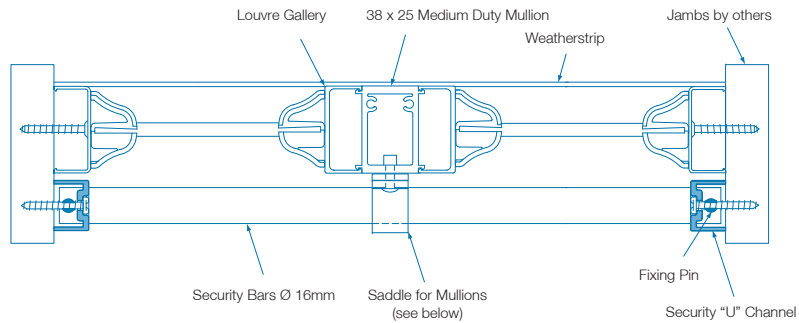
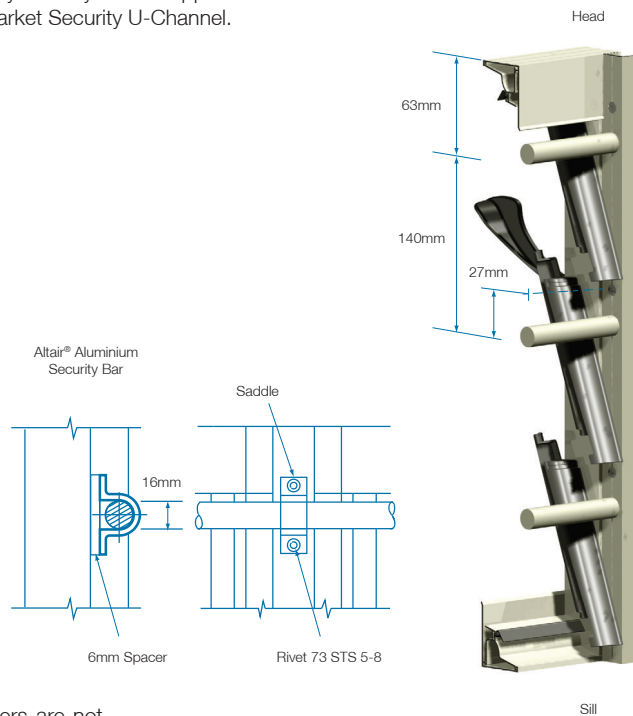


## Aftermarket Security “U” Channels

### 152mm Louvre Galleries Only

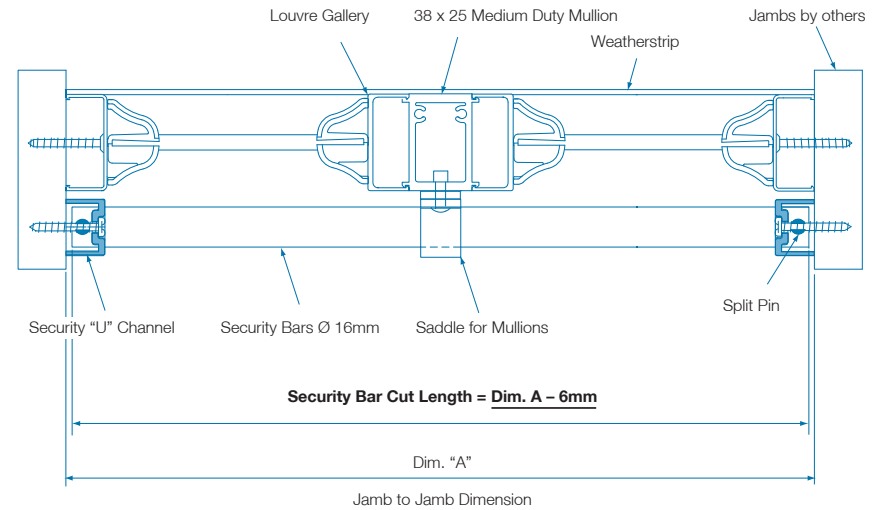


- One way security screw supplied with Aftermarket Security U-Channel.



6mm Spacers are not supplied by Breezway.

## Security Bar Cut Lengths For “U” Channel



- Maximum permissible taper in jamb section is 4.0mm
- Tolerance on bar cut length to be  $\pm 1.0$ mm
- Maximum bar length unsupported is 900mm

## Split Pin Detail For Security Round Bar

