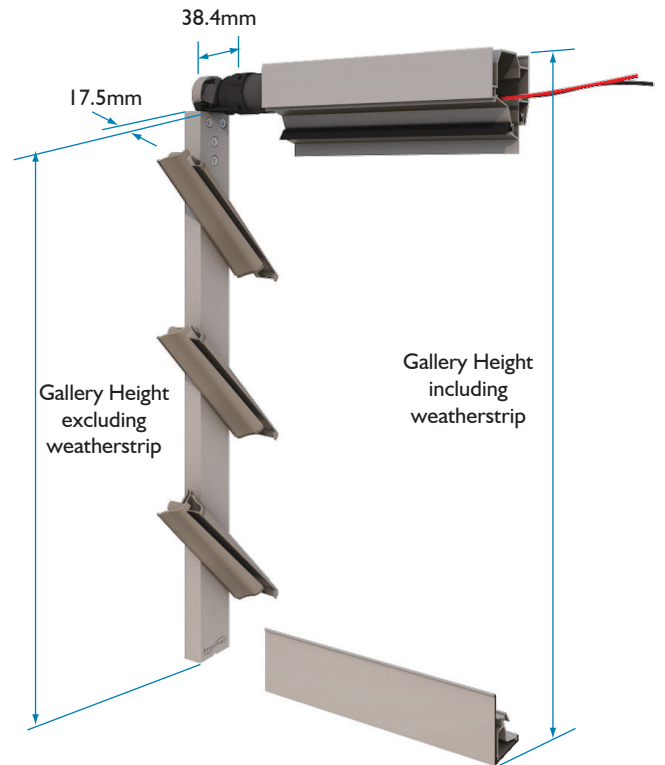


Standard Heights - Altair® Powerlouvre™ Component System

No. of Blades	152mm Altair Powerlouvre Component System Standard Sizes		102mm Altair Powerlouvre Component System Standard Sizes	
	Height including Weatherstrip (mm)	Gallery height excluding Weatherstrip (mm)	Height including Weatherstrip (mm)	Gallery height excluding Weatherstrip (mm)
2	360	320	-	-
3	500	460	350	310
4	640	600	440	400
5	780	740	530	490
6	920	880	620	580
7	1060	1020	710	670
8	1200	1160	800	760
9	1340	1300	890	850
10	1480	1440	980	940
11	1620	1580	1070	1030
12	1760	1720	1160	1120
13	1900	1860	1250	1210
14	2040	2000	1340	1300
15	2180	2140	1430	1390
16	2320	2280	1520	1480
17	2460	2420	1610	1570
18	2600	2560	1700	1660



152mm Powerlouvre Component System:

- Off-standard heights between 6mm and 42mm greater than a standard height are not available for 152mm Powerlouvre Component System.
- All other off-standard heights are available.

102mm Powerlouvre Component System

- Off-Standard heights between 1mm and 5mm below a standard frame height are not available.
- Off-standard heights between 6mm and 44mm greater than a standard height are not available for 102mm Powerlouvre Component System.
- All other off-standard heights are available.

Minimum Bay Width	
Powerlouvre Window Type	Minimum Bay Width (mm)
2-9 blade high	400
10-18 blade high	500