

Uninterrupted Power Supply (UPS) Wiring Guides for Powerlouvre™ Windows operating on the Apptivate® Advance Control Unit or Bell-Press Switches

Powerlouvre Power Requirements

- Low Voltage 24V DC current
DO NOT USE HIGH VOLTAGE – MAX 29V LIMIT
- 0.4 Amps per motor instantaneous startup current.
- 0.25 Amps per motor constant current.
- 1 motor per bay* in 2-9 blade high windows; 2 motors per bay* in 10-18 blade high windows.
- Breezway switch mode transformers available, models suitable for powering up to 6 Powerlouvre motors or 14 Powerlouvre motors.
- Transformers for motor groups larger than 14 Powerlouvre motors can be sourced from electrical wholesalers.
- Voltage drop off:
 - Use wire gauge suitable for distance from motor.
 - Voltage below 24V at motors will cause motors to operate slowly.
 - Voltage significantly below 24V at motors will not close the windows completely.

*('Bay' = grouping of louvre blades, separated by vertical mullion)

Uninterrupted Power Supply Features and Function



Uninterrupted Power Supply

Dimensions (w x d x h): 84mm x 174mm x 280mm

Breezway supply a CyberPower UT650EG Uninterrupted Power Supply (UPS) to allow Powerlouvre Windows to continue operating in the event of a blackout.

This UPS connects to and charges off 240V AC mains power. Its output is 240V AC. Transformers are required to convert to 24V DC for Breezway Powerlouvre products. A maximum of 3 x 24V DC transformers can be connected to the UPS by the power outlets on the back of the unit (shown below). Breezway do not recommend using double adaptors or power boards from the UPS.



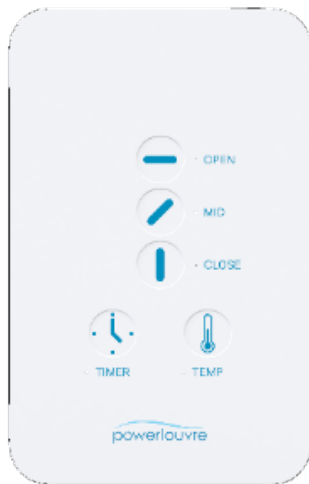
From the UPS outputs, standard Breezway wiring guides can be followed.

The period that power will be supplied by the UPS without recharging will depend on the load and usage frequency of the Powerlouvre Windows, but multiple open and close cycles can be achieved without charging e.g. Testing showed that 12 Powerlouvre Motors can be operated consecutively around 100 times before the UPS is drained.

The battery indicator light on the front of the UPS will notify when power is running low.

The UPS will recharge off mains power, typically fully charging in 6 hours.

Breezway Supplied Controls



Aptivate Advance Control Unit

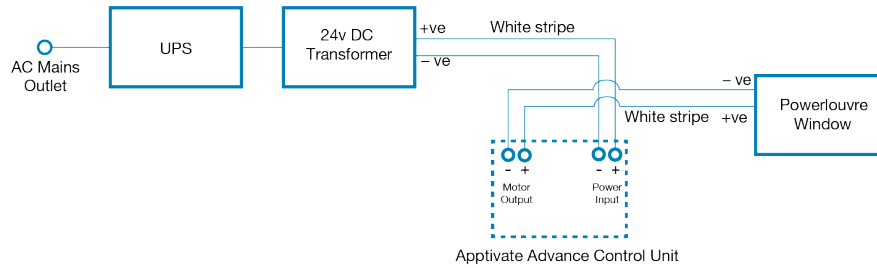
Operates up to 12 Powerlouvre Motors



Bell-Press Switches

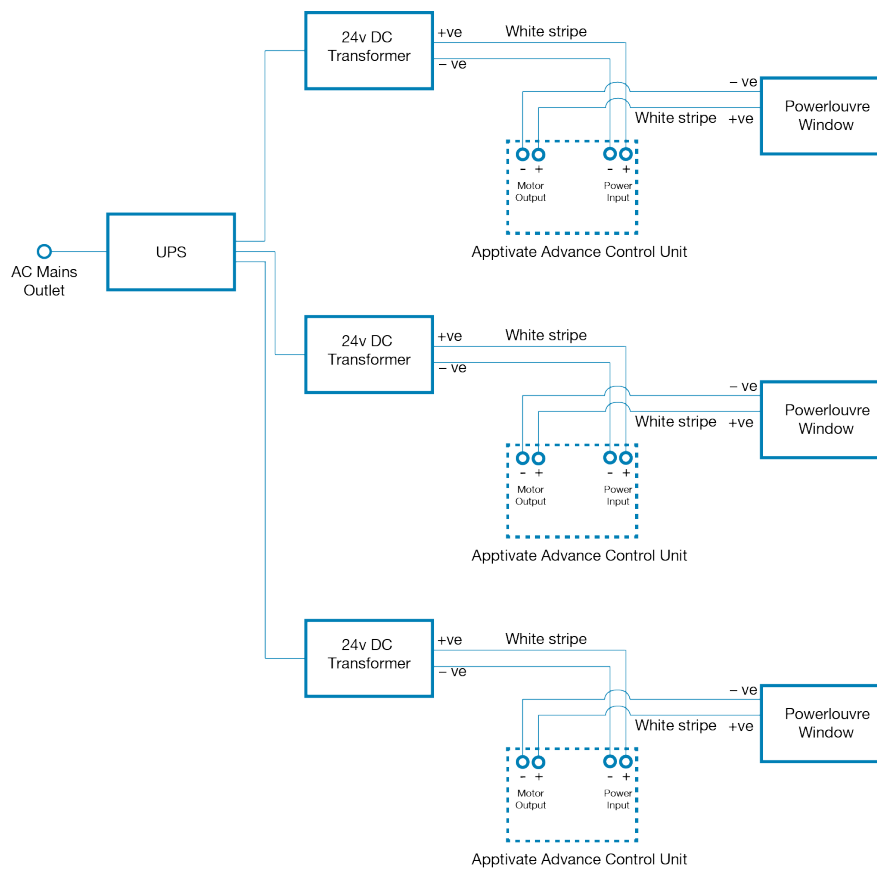
Suitable for operating up to 25
Powerlouvre Motors

Apptivate® Advance Control Unit with UPS Wiring



Wiring Example A

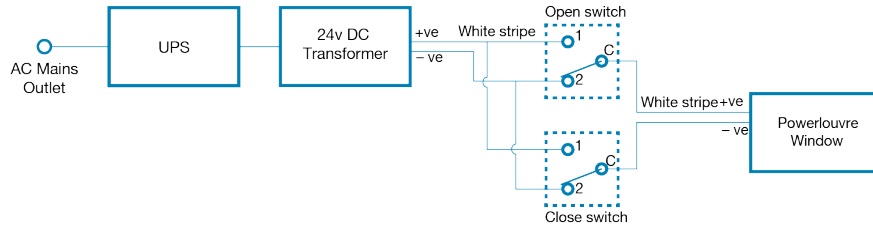
Apptivate Advance Control Unit, single Powerlouvre Window with UPS.



Wiring Example B

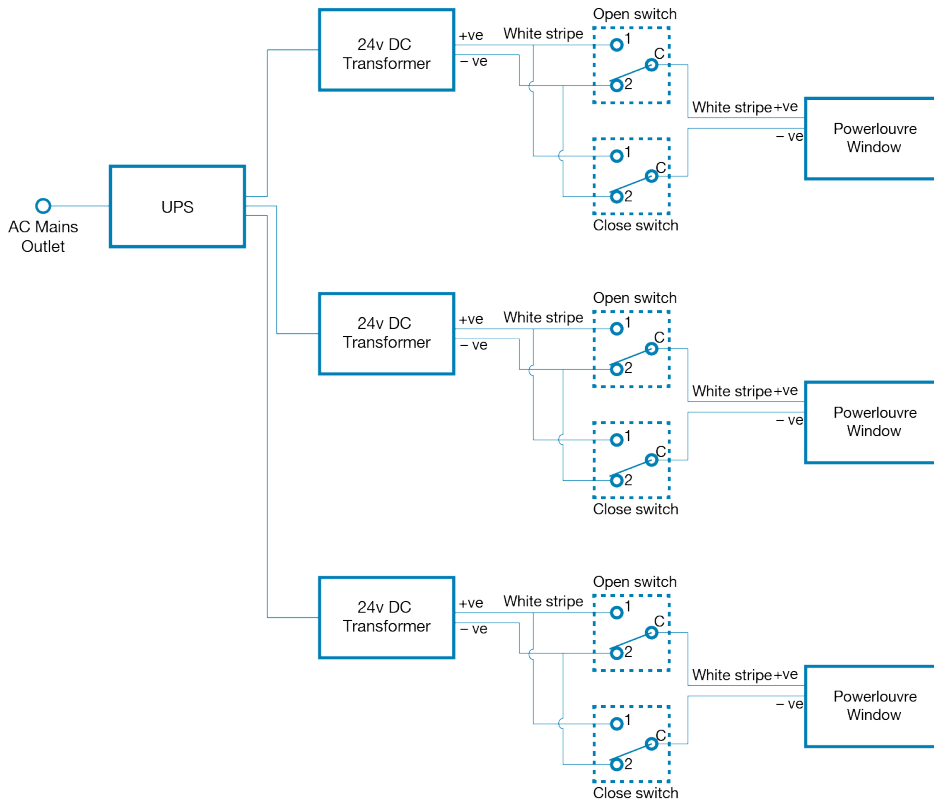
Three Apptivate Advance Control Units with single Powerlouvre Window's connected to a single UPS.

Bell-Press Switch with UPS Wiring



Wiring Example A

Bell Press Switch, single Powerlouvre Window with UPS.



Wiring Example B

Three Bell Press Switch's with single Powerlouvre Windows connected to a single UPS.