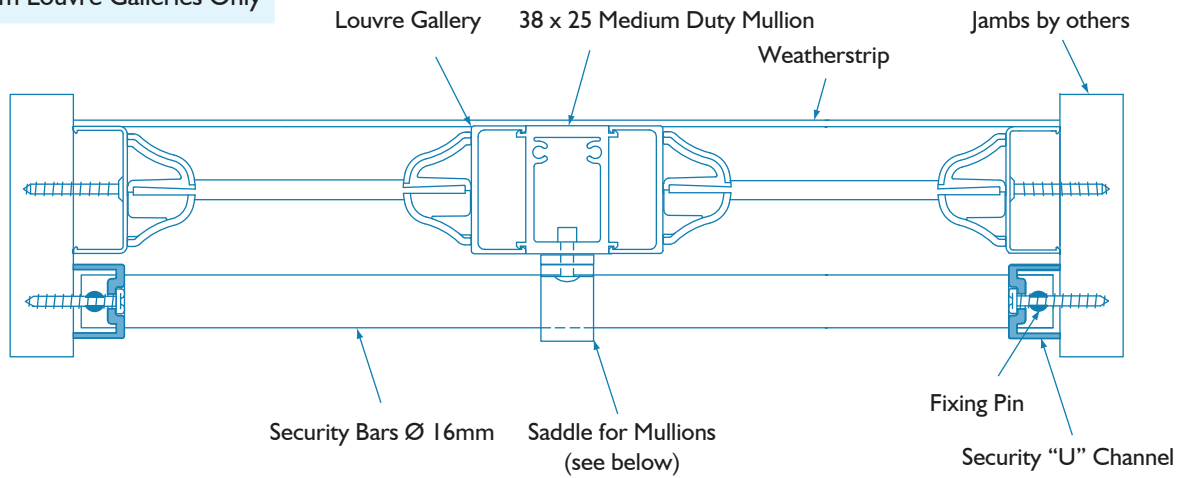


Aftermarket Security "U" Channels

152mm Louvre Galleries Only

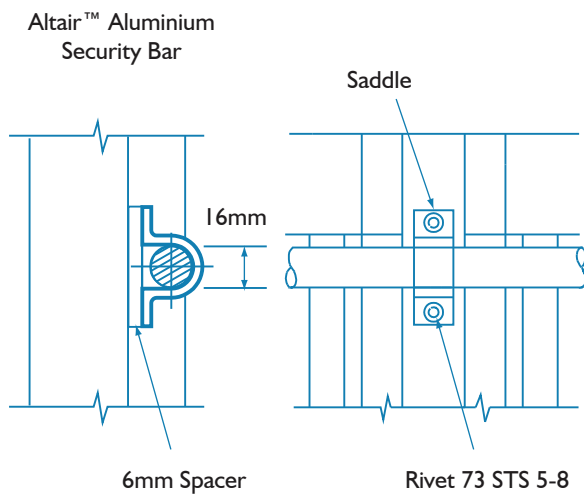
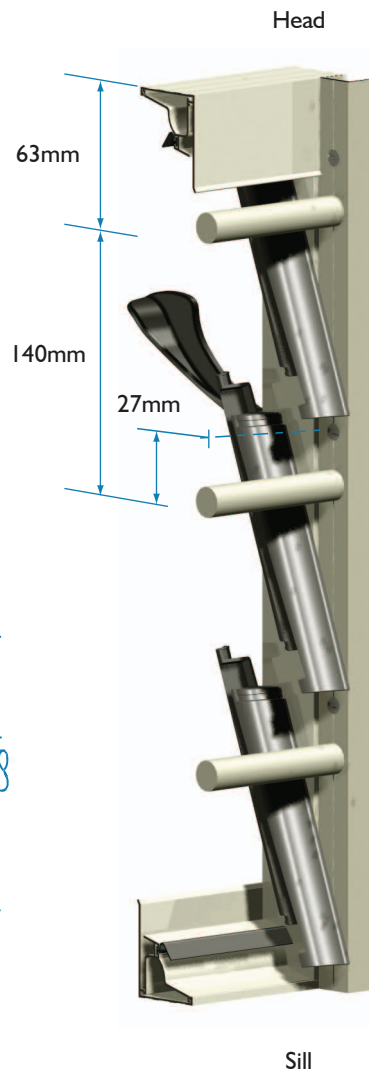


For Alum. or Steel Jamb Section

- M4 x 20mm long Trilobular Screw
- Stainless Steel, Pan Hd. 1A Pozi-Driv
- Ø 3.70mm in Alum, Ø 3.80mm in Steel

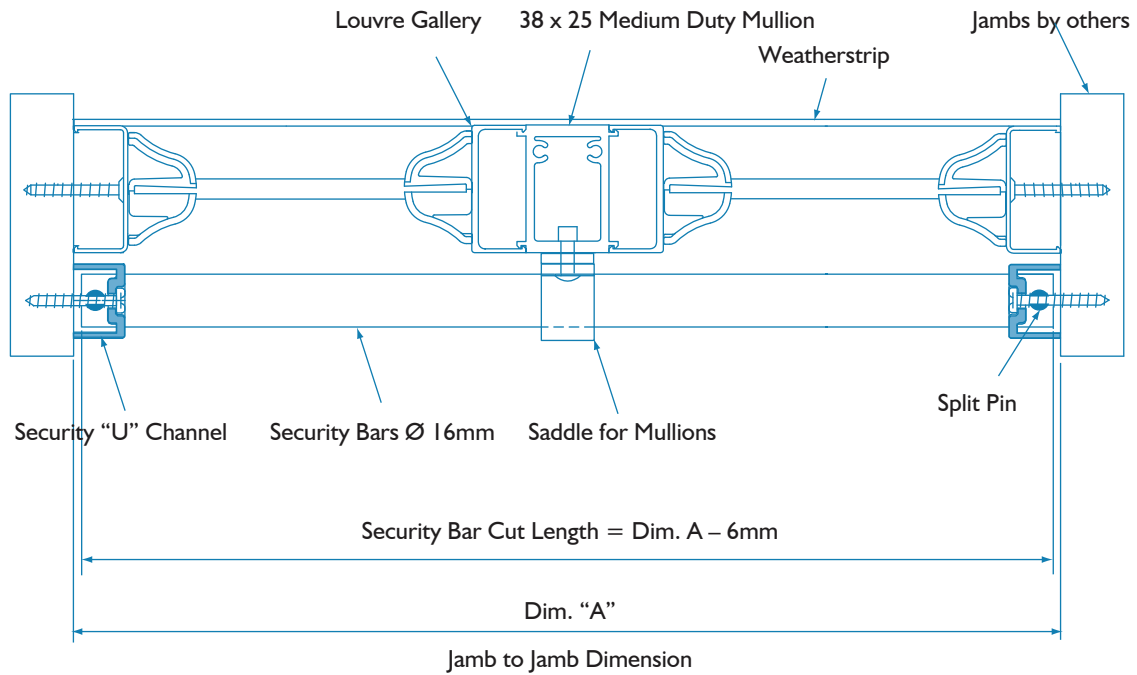
For Timber or Masonry

- 8 Gauge x 30mm Long Self Tapping Screw
- Stainless Steel, Pan Hd. 1A Pozi-Driv



**6mm Spacers are not supplied by Breezway.**

Security Bar Cut Lengths For "U" Channel



- Maximum permissible taper in jamb section is 4.0mm
- Tolerance on bar cut length to be  $\pm 1.0$ mm
- Maximum bar length unsupported is 900mm

Split Pin Detail For Security Round Bar

